

**5-1/4" Cast Aluminum Neckless Post Fitter w/ porcelain socket**

**26104** Fits 3" poles

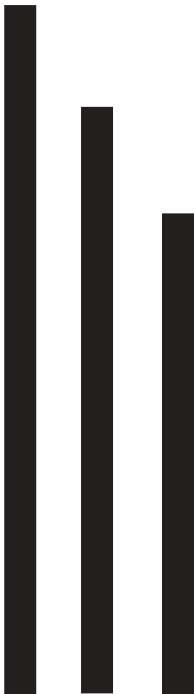


**5-1/4" Post Top Fitter Kits**

Aluminum.....26119  
Polycarbonate... 23700



**3" Black Round Steel Direct Burial Poles**



**27116 -7 foot**

**27141 -10 foot**

**27164 -12 foot**

**5-1/4" Neckless Polycarbonate Post Fitter w/ porcelain socket**



**23695** Fits 3" poles

**4"  
X  
4"**



**120V 1000W Photo Cell**

**23736 -15ft.**

**27122 -20ft.**

**23840 -25ft.**

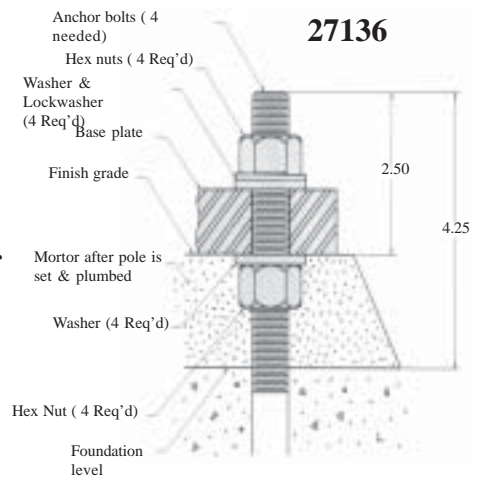
**27121**

**11 ga. carbon steel pole  
4"x 4" sq.  
Bronze color**

**Includes:  
Hand hole  
Base cover  
Top cap  
Anchor base w/four slotted holes  
Bolt circle 8" thru 11-1/4"**

**J-Bolts 30" Long**

Includes:  
2 Hex nuts  
2 Heavy washers  
1 Locknut



[www.citylightsphx.com](http://www.citylightsphx.com)

3911 W Van Buren #3  
Phoenix, AZ. 85009

Local  
Phone: 602 233 2552  
Fax: 602 233 1102



Call Toll Free  
Phone: 877 615 4448  
Fax: 877 432 8527

# Post Top Fitters

## 8" Post Top Fitter for Ornamental Globes

**Specifications:**  
Cavity Size accommodates  
all ballasts, 35-150W HPS.  
Also 50-175W MH and  
250W MH with 3"x 4"  
core size



Inside view

- Heavy cast metal construction
- 5 KV pulse rated mogul base socket UL listed
- Large ballast cavity
- Black powder coated finish
- Mounting plate for ballast, capacitor and/or ignitor

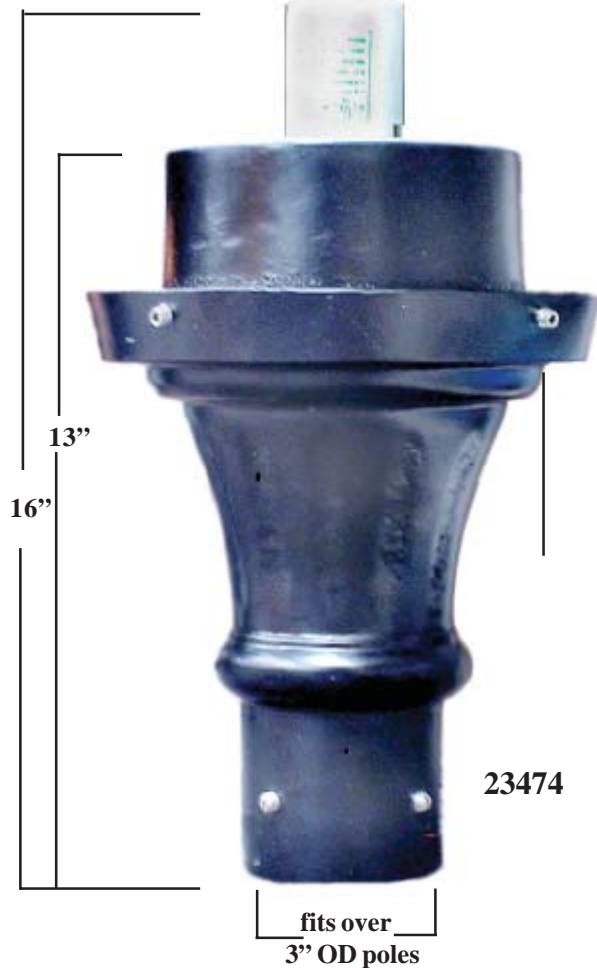


Whooooo knew,  
City Lights had  
such great items,  
wowwww!



**City Lights Advisors  
are:**

**Courteous  
Intelligent  
Trustworthy  
Your partners**



### Mogul-to-Mogul Extension

**4 KV Pulse Rated**

**1500W-600V**

**UL listed**

**Copper alloy  
nickel-plated  
screw shell.**

**Extends mogul  
lamp 2-3/8"**

**23979**



Call Toll Free  
Phone: 877 615 4448  
Fax: 877 432 8527



[www.citylightsphx.com](http://www.citylightsphx.com)

Local

Phone: 602 233 2552  
Fax: 602 233 1102

3911 W Van Buren #3  
Phoenix, AZ. 85009